

Speed Vision Dome SVD 306

Special features

- 36-fold zoom (optical) and 32-fold (digital)
- 0,03° accuracy (even with 36-fold zoom)
- very high sensitivity (0,04 lx bw, 0,5lx colour)
- flexible pivoting speed (0,04°/s up to 500°/s)
- high-definition with 540 TV lines (1/4" CCD)
- high dynamics (ExDR) with dual shutter
- electronically increased sensitivity in dark zones
- effective back light compensation
- automatic day/night mode with IR cut filter
- private masking (10 editable masks)

Speed Vision Dome SVD 306

t more features t motion detection and tracking
 t ultra low mechanism (< 35 dB) t fast and
 simple installation (without screws) t dust and
 water protected design (IP 66) t focal length
 (3,43 up to 122 mm) t image stabilization t
 display mode for LCD and CRT displays t
 synchronization (internal and line lock)

Description

The new Speed Vision Dome is a high-performance security and monitoring system for both stand-alone applications and integration in highly complex security and management systems

The high-resolution camera in combination with the 36-fold precision lens provides brilliant images with very good detail reproduction also with low target lighting, optionally with or without auto focus mode.

The new pivoting and tilting direct-drive system allows ultraprecision positioning and low noise development.

Speed Vision Dome SVD 306



SVD 306 in weatherproof outdoor housing



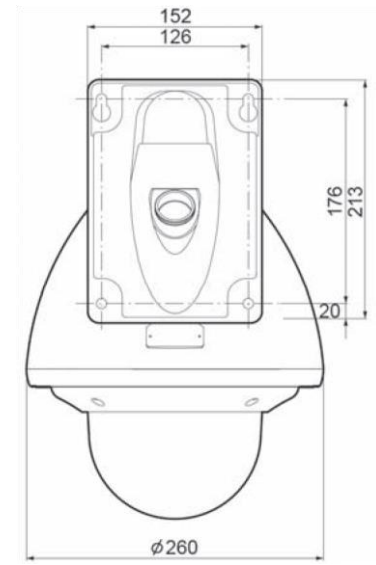
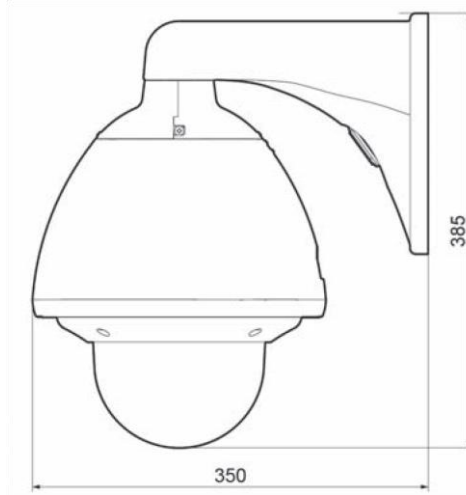
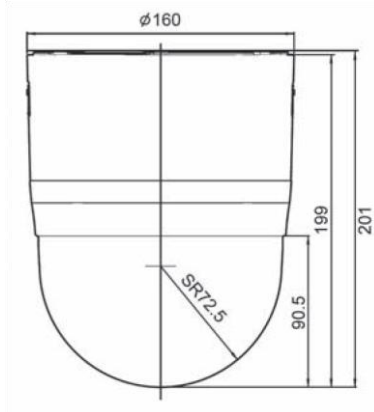
SVD 306 indoor



SVD 306 ceiling

Technical data				
video output	CVBS 1,0 Vpp, 75 , screw type terminal			
photosensitivity (F 1,6 AGC on)	colour	colour	bw	bw
	0,5 lx	1,0 lx	0,04 lx	0,08 lx
	25 % level	50 % level	25 % level	50 % level
resolution	540 lines			
sensor	1/4 interline transfer CCD			
effective pixels	752 (h) x 582 (v) (440.000)			
TV system	PAL			
synchronization	internal, line lock			
S/N ratio	50 dB			
shutter	normal (1/50), 1/120, 1/250, 1/500, 1/1000, 1/2000, 1/4000, 1/10000			
day/night	yes, IR cut filter on / off			
video detection and tracking	yes			
backlight compensation (BLC)	4 zones settable			
display mode	CRT / LCD 1 / LCD 2			
stabilizer	on / off			
auto tracking	on / off			
preset positions	100			
lens				
focal width	3,43 mm up to 122 mm			
zoom lens	36 x optical (32 x digital)			
max. aperture	F: 1,6 (f = 3,43 mm) up to F: 4,5 (f = 122 mm)			
auto focus	auto / manual			
pivoting/tilting				
pivoting range	360 ° unbegrenzt			
tilting range	-0,5 ° bis 180 ° (with tilting limiter)			
pivoting speed	0,04 °/s up to approx. 500 °/s (at preset)			
tilting speed	0,04 °/s up to approx. 500 °/s (at preset)			
privacy masking	up to 8 adjustable masks			
general data				
control interface	RS 485			
supply voltage	24 V AC ±10 % 50/60 Hz; 1,3 A			
temperature range	-10 °C ... +50 °C			
weight (indoor type)	2,6 kg			
dimensions Ø x H	160 mm x 201 mm			

Dimensions(mm)



plettac Security UK Ltd, Unit 39 Sir Frank Whittle Business Centre, Great Central Way, Rugby CV21 3 XH
Tel.: +44(0)844 800 1725 Fax.: +44(0)1788 544549
info@plettac.co.uk